

MOFFAT E85-A-8-HLD

Proofer and Holding Cabinet

-  Full view door
-  Dual proof/holding functions
-  Variable heat control
-  Variable humidity control
-  Stainless steel outer
-  Stainless steel inner
-  Low velocity fan
-  Casters as standard
-  110V plug in connection
-  Door removes for cleaning
-  Auto water fill (hook-up optional)



E85-A-8-HLD



Order Toll Free 1800 551 8795

E85-A-8-HLD

Unit shall be a Moffat electrically heated proofer and holding cabinet E.T. L listed (UL Std 197 NSF - 4). The proofer and holding cabinet shall have a stainless steel interior and stainless steel top and sides. Proofer cabinet shall be fully insulated with a single pane removable glass door with capacity for up to 16 half size sheet pans or 8 full size sheet pans. A single speed fan shall gently and evenly circulate air around the proofer cabinet. Cabinet temperature shall be controlled by a thermostat and humidity via a humidity sensor and control. A thermometer shall indicate the cabinet temperature. A single element shall heat the cabinet with an additional element heating water in the water tank. Proofer and holding cabinet shall be mounted on casters, fixed at the rear brake and swivel at the front. Proofer and holding cabinet shall operate independently or in combination with Moffat's Turbofan model E35. Proofer and holding cabinet shall be fitted with a NEMA 5-15P cordset.

MOFFAT® E85-A-8-HLD

Proofer and Holding Cabinet



www.moffat.com

U.S.A

Moffat Inc
3765 Champion Boulevard
Winston-Salem
North Carolina 27105
Call Free 1800 551 8795
Ph 336-661 0257
Fax 336-661 9546
Email sales@moffat.com
www.moffat.com

Canada

Serve Canada
22 Ashwarren Road
Downview
Ontario, M3J 1Z5
Ph 416-631 0601
Fax 416-631 0315
Email info@servecanada.com

Australia

Moffat Pty Limited
740 Springvale Rd
Mulgrave
Victoria 3170
Australia
Ph 03-9518 3888
Fax 03-9518 3833
Email vsales@moffat.com.au
www.moffat.com.au

New Zealand

Moffat Limited
16 Osborne St
PO Box 10-001
Christchurch
New Zealand
Ph 03-389 1007
Fax 03-389 1276
Email sales@moffat.co.nz
www.moffat.co.nz

United Kingdom

Blue Seal Limited
Units 6-7 Mount St
Business Park
Birmingham B7 5QU
England
Ph 0121-327 5575
Fax 0121-327 9711
Email sales@blue-seal.co.uk
www.blue-seal.co.uk

CONSTRUCTION

8 pan capacity
Stainless steel front and sides
Removable full view door
Strong and stylish handle
Stainless steel racking system
Accepts half or full size pans
Fully insulated
Porcelain control panel

CONTROLS

Off/proof/hold switch
Mechanical thermostat
Variable heat 32°F to 175°F
Variable humidity
Cabinet temperature thermometer

CLEANING AND SERVICING

Easy clean surfaces
Removable racking system
Removable water tank

SPECIFICATIONS

Electrical Requirements
110V, 60Hz, 1P+N+E, 1.65kW, 14.5A
NEMA 5-15P cordset fitted

Water

$\frac{3}{4}$ " thread
80psi max inlet pressure
20psi min inlet pressure

External Dimensions

Width $34\frac{5}{8}$ " (880mm)
Height $35\frac{1}{2}$ " (902mm)
Depth $34\frac{5}{8}$ " (880mm)

Internal Dimensions

Width 18" (460mm)
Height $27\frac{5}{8}$ " (700mm)
Depth 26" (660mm)

Nett Weight

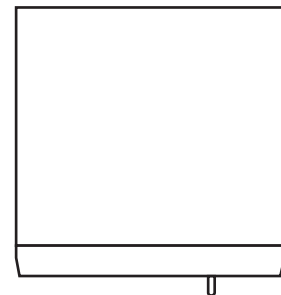
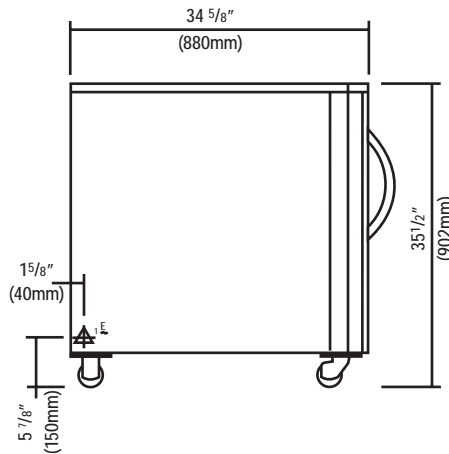
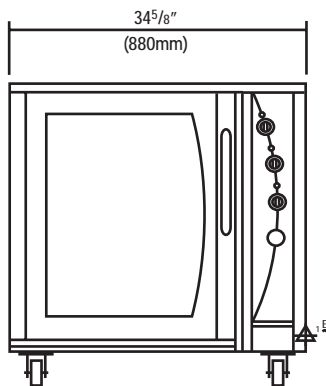
205lbs (93kg)

Packing Data

340lbs (154kg)
37.4ft³ (1.06m³)
Width $38\frac{1}{8}$ " (970mm)
Height $39\frac{3}{4}$ " (1090mm)
Depth $39\frac{3}{8}$ " (1001mm)

Clearances

Left side -
Right side 1" (25mm)
Rear -
Top -



Door swing 25 1/2" (650mm)



ISO 9001

All Turbofan products are designed and manufactured by Moffat Ltd using the internationally recognised ISO 9001 quality management system, covering design, manufacture and final inspection, ensuring consistent high quality at all times.

